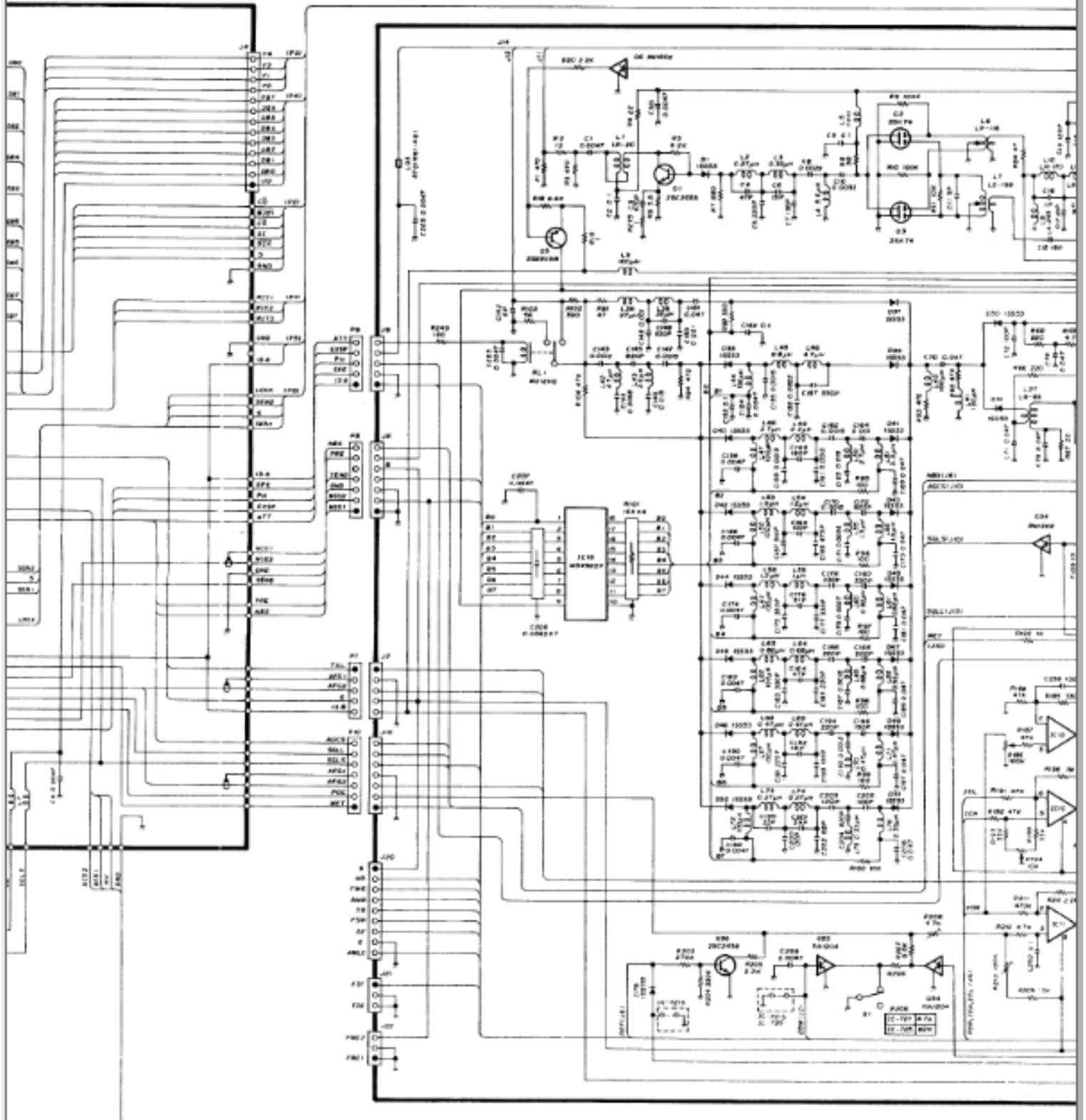
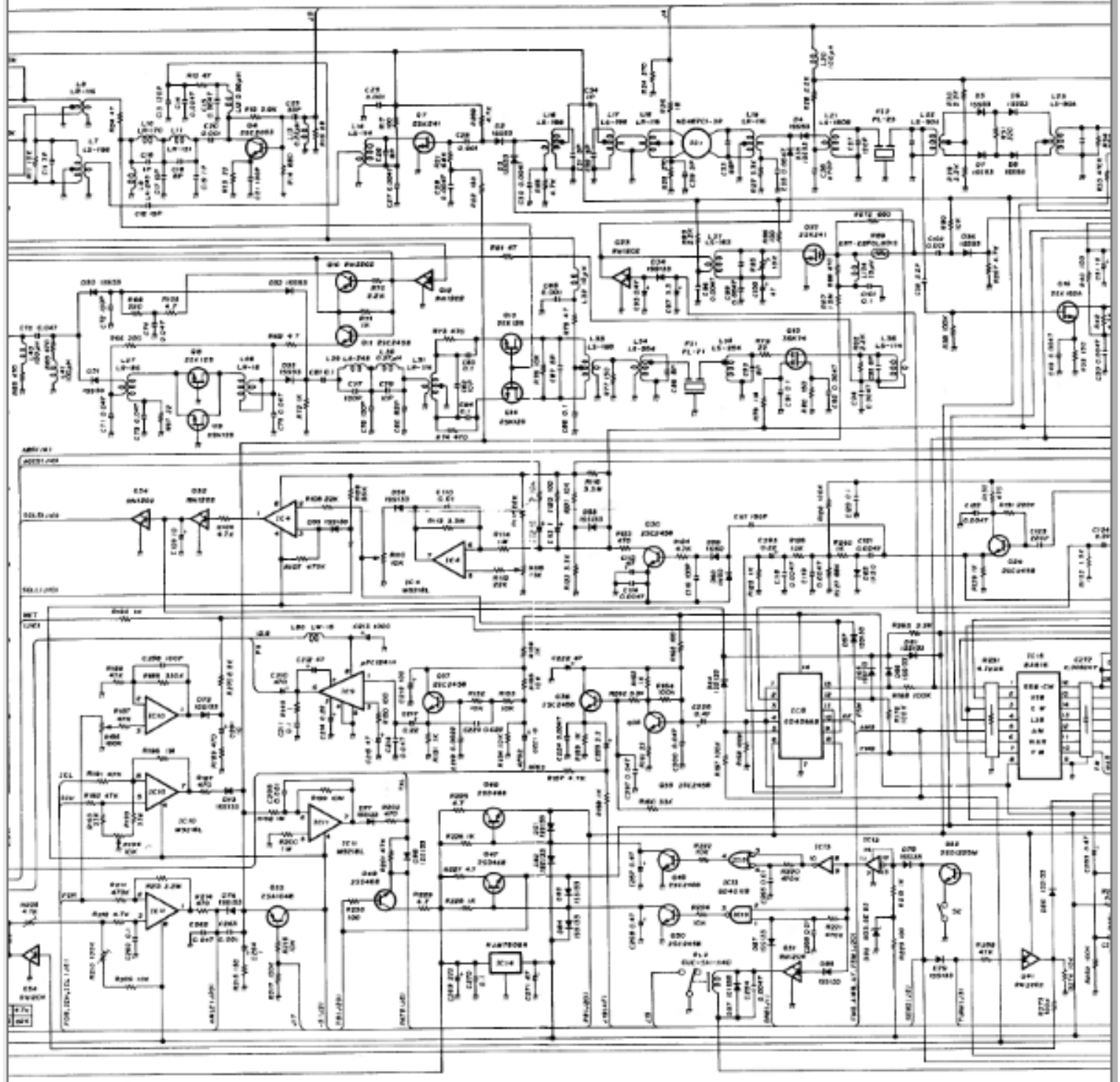


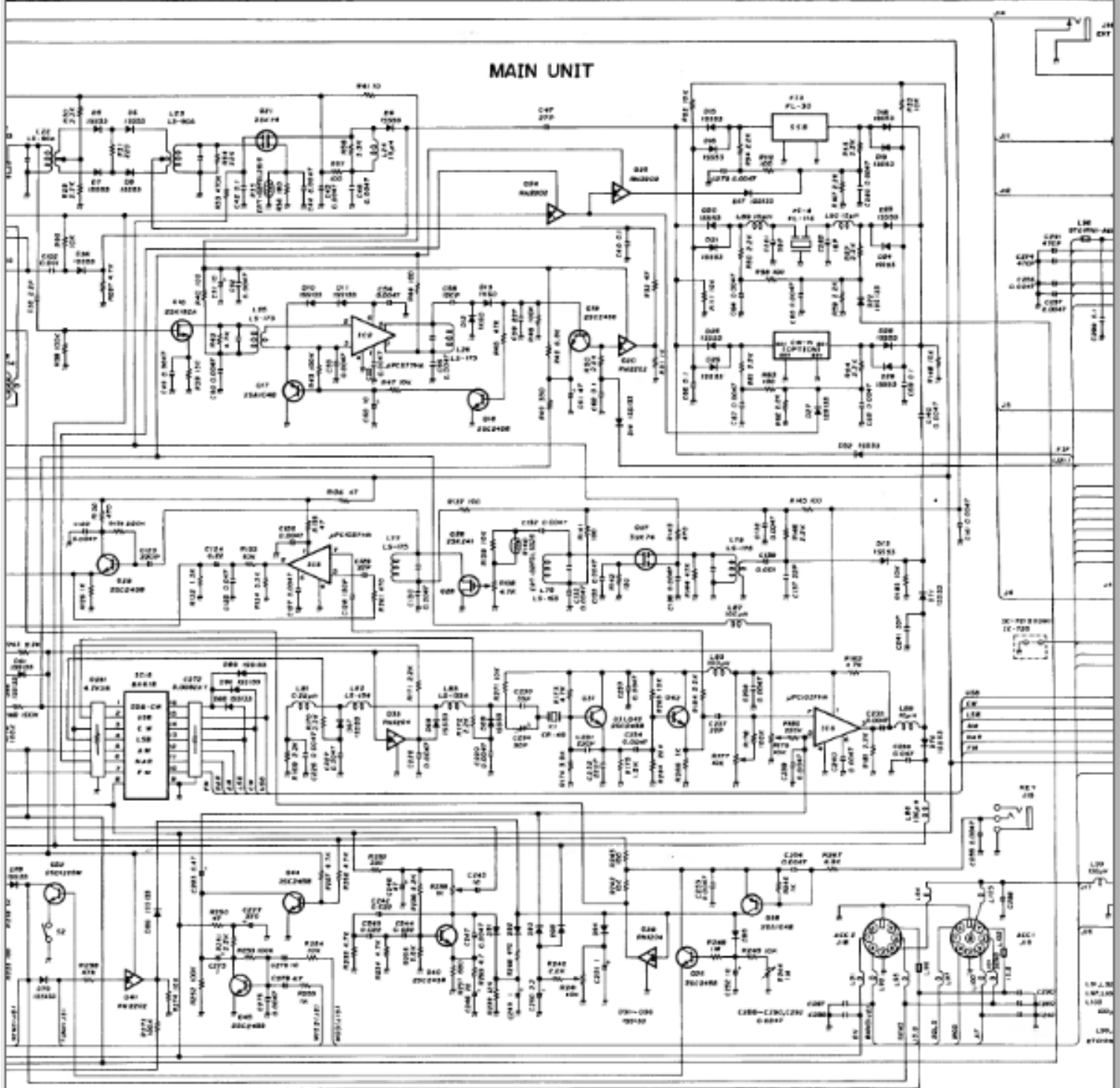
C-725

SCHEMATIC DIAGRAM

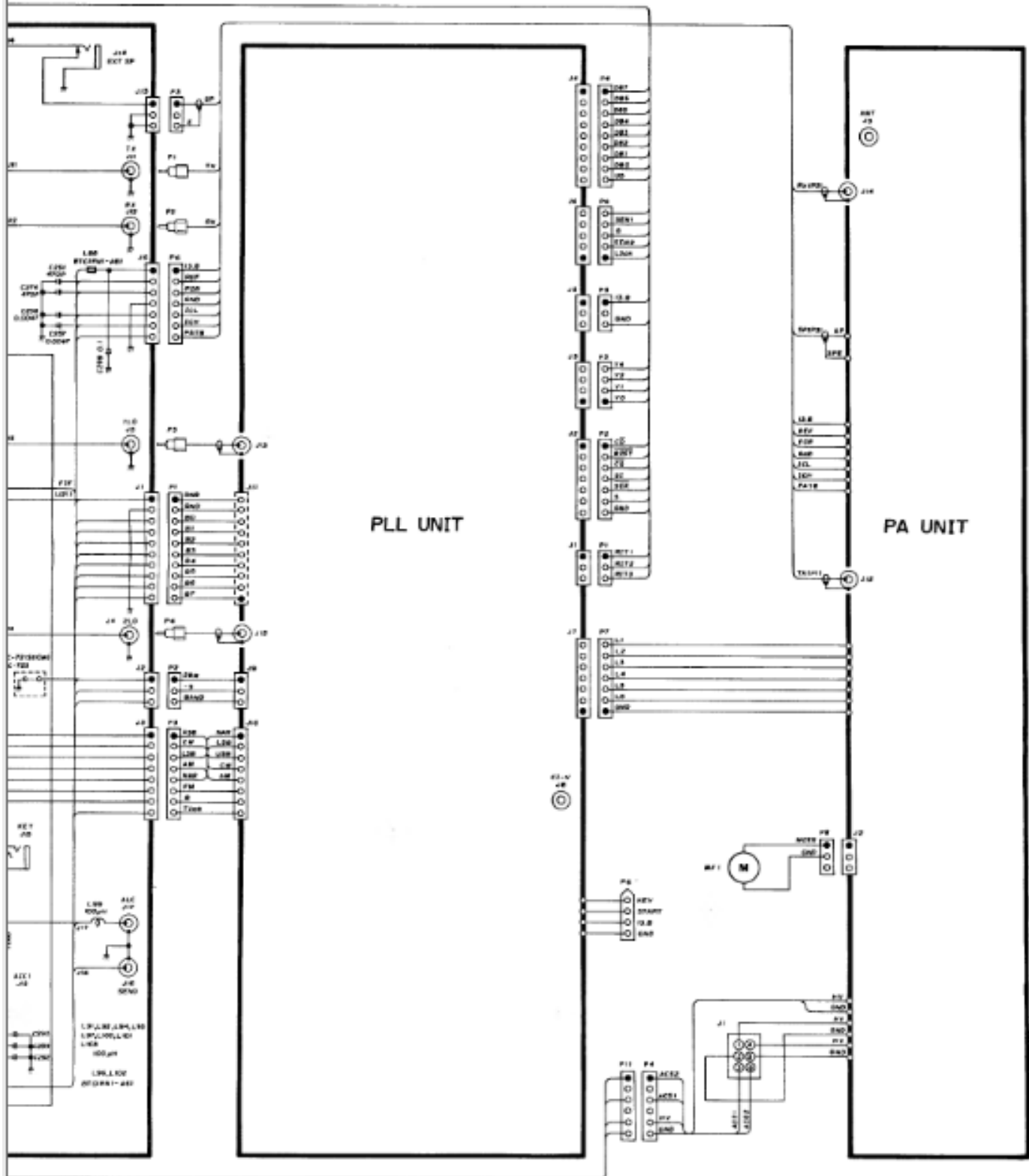




MAIN UNIT



●この配線図は改良のため千巻



PLL UNIT

PA UNIT

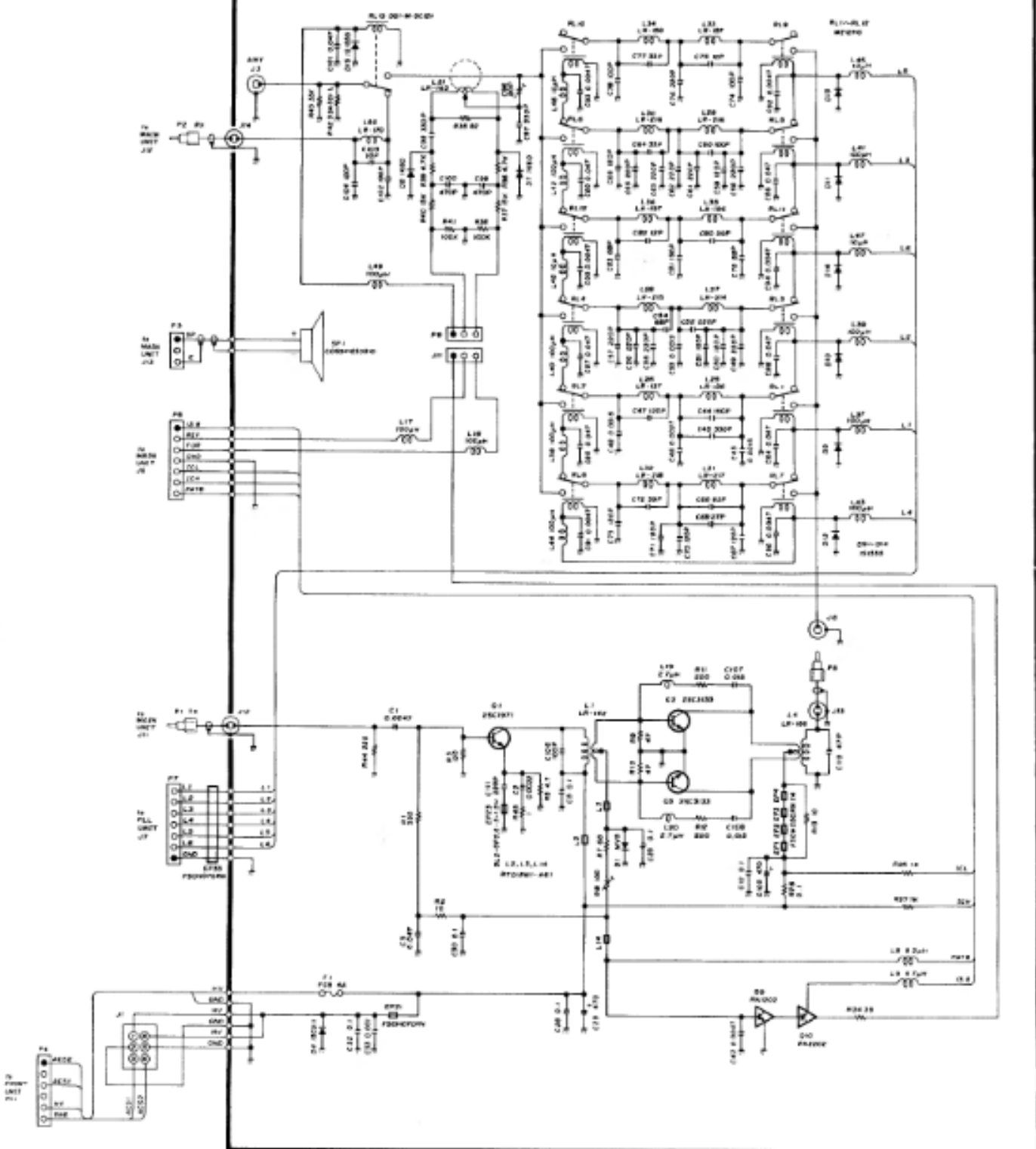
To upgrade quality, some components may be subject to change without notice.

A-5033-2G

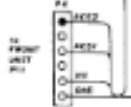
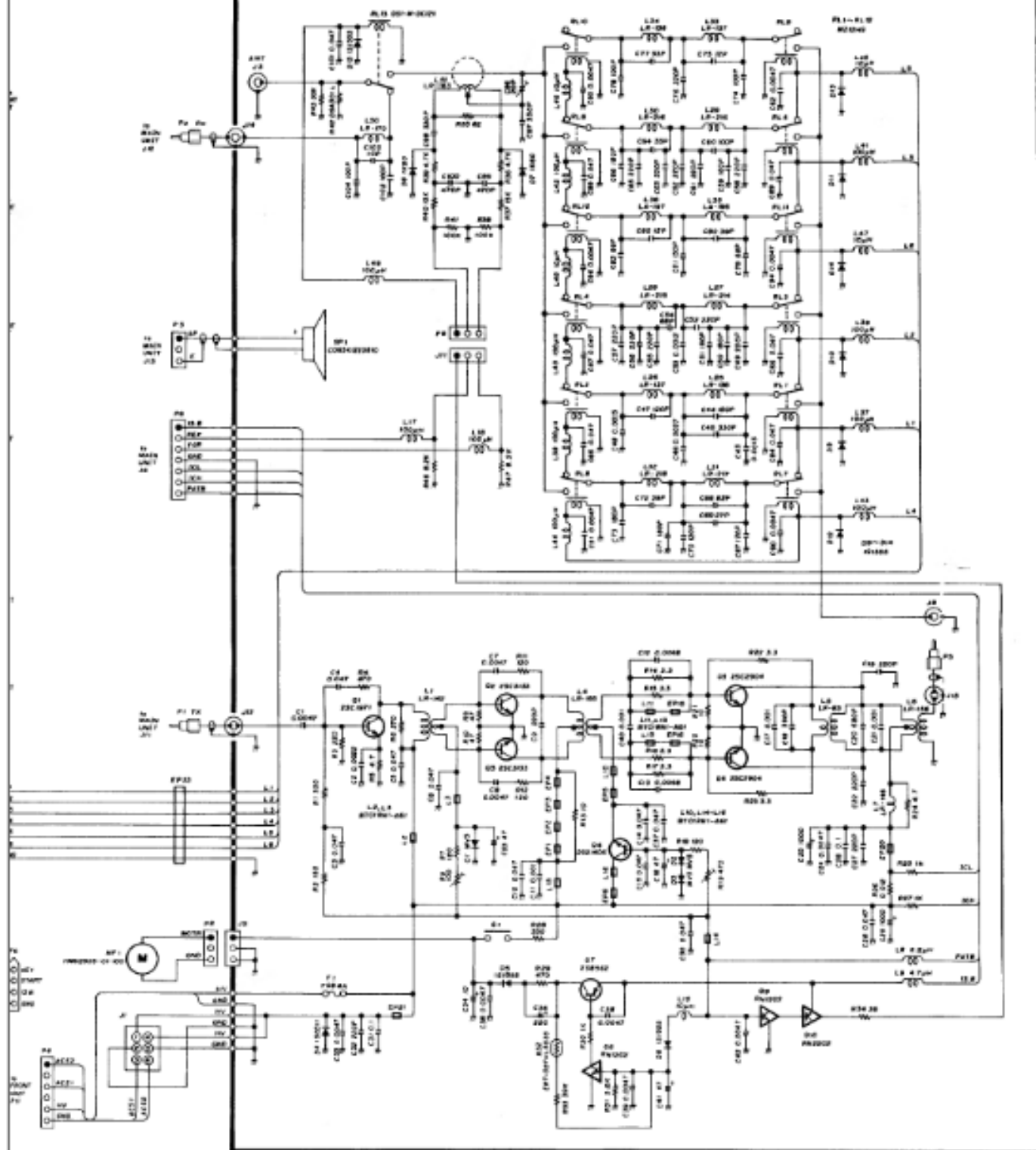
Icom Inc.

は改良のため予告なく変更することがあります。

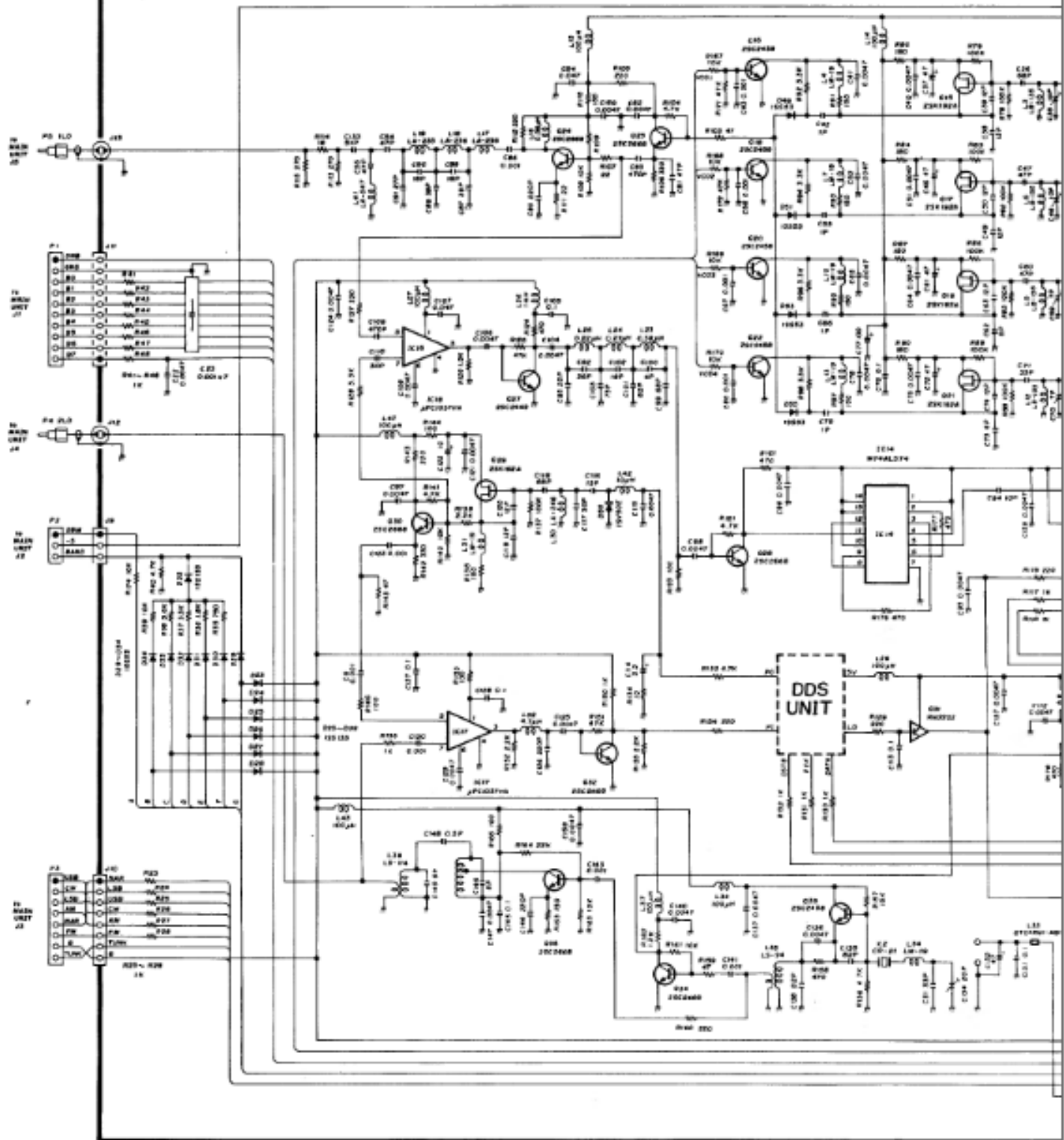
PA UNIT (10W)

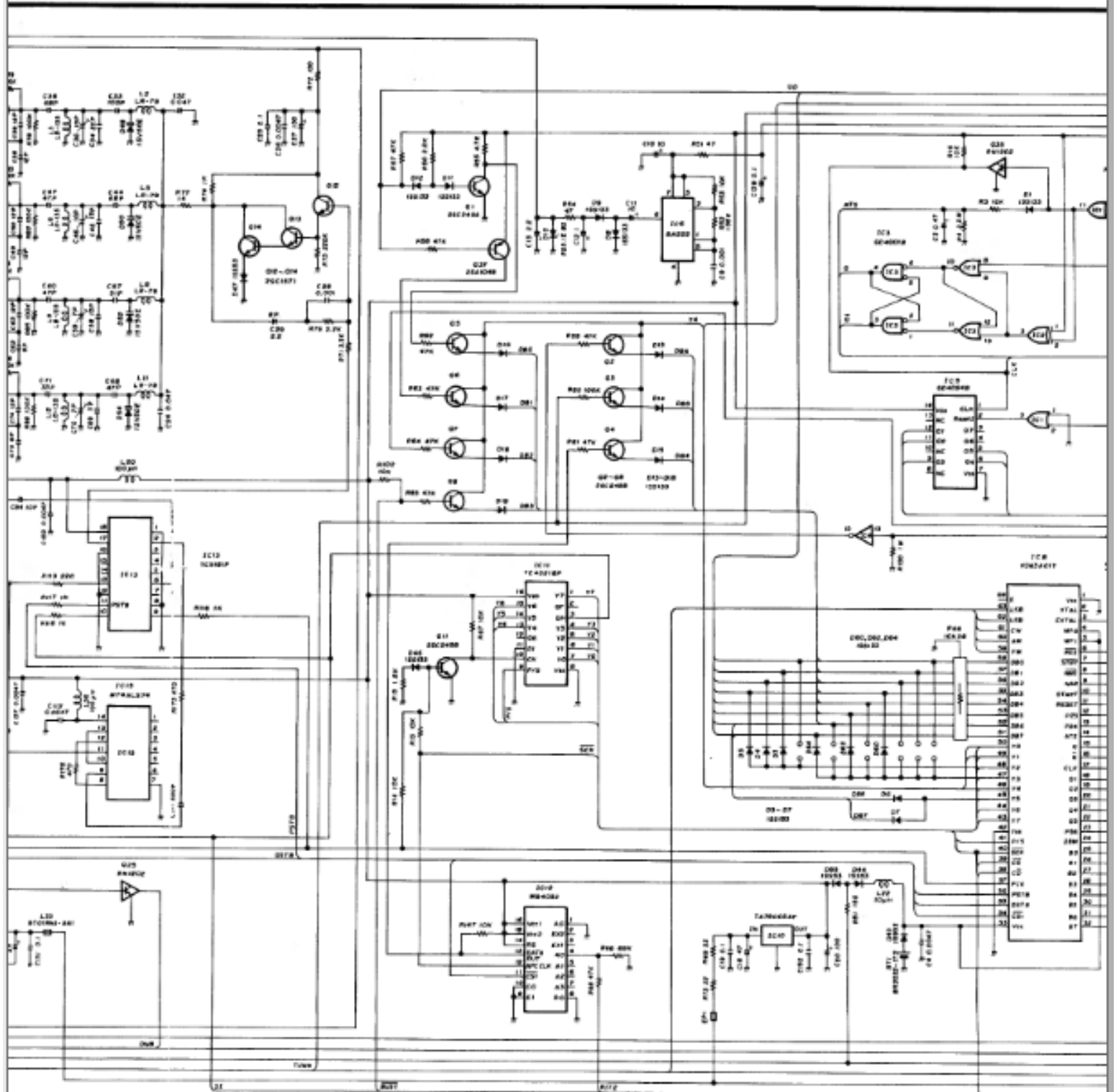


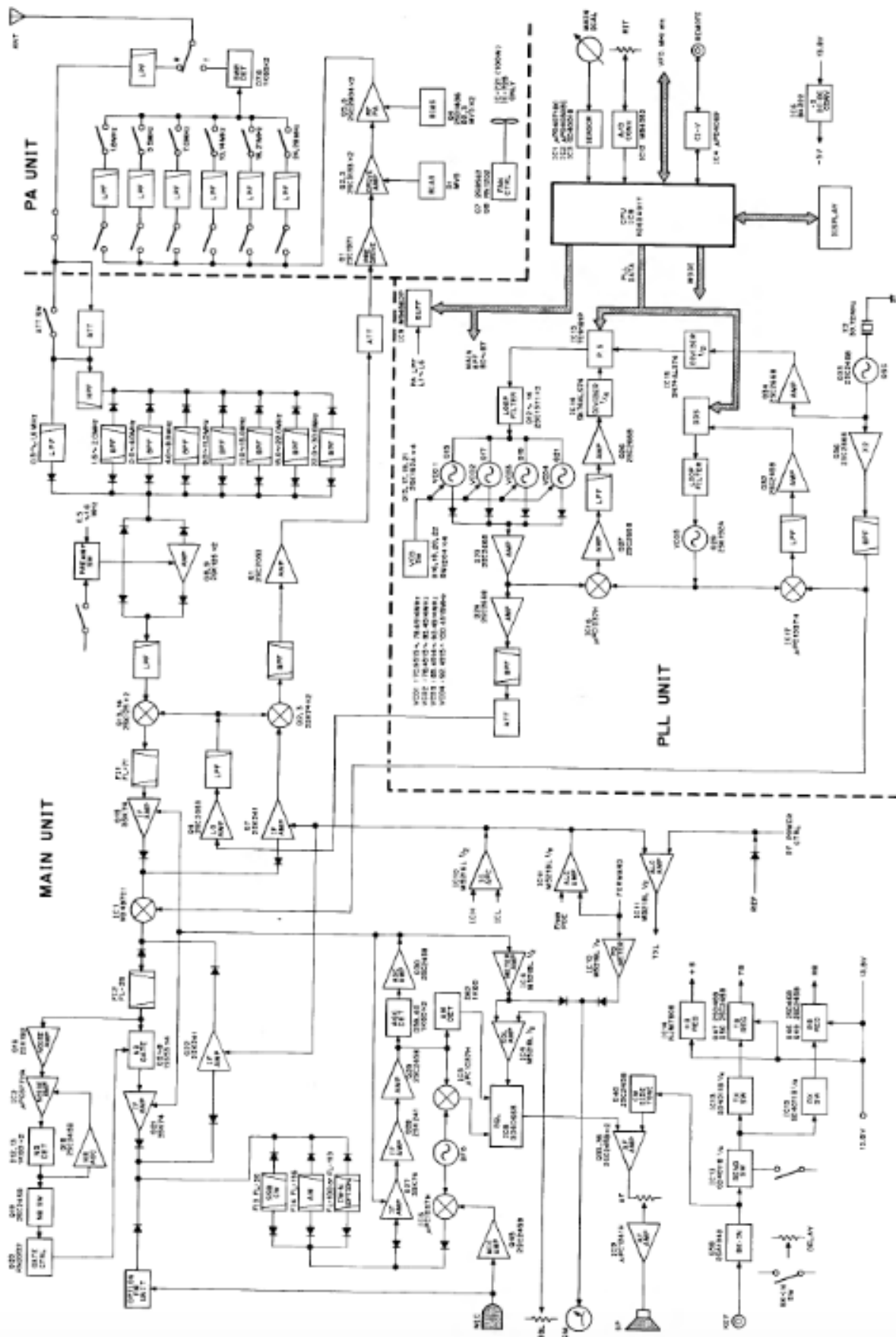
PA UNIT



PLL UNIT

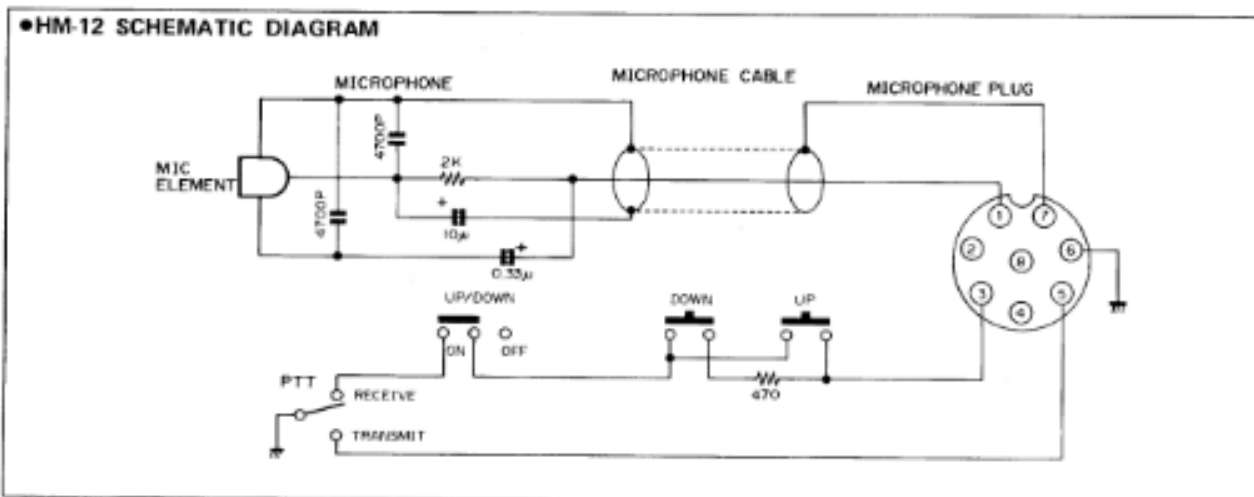






To upgrade quality, some components may be subject to change without notice.

3 SYSTEM INTERCONNECTIONS



3-7 ACC SOCKET INFORMATION

(1) ACC(1) SOCKET

PIN NO.	PIN NAME	DESCRIPTION	SPECIFICATIONS
1	NC	No connection.
2	GND	Connects to ground.	Connected in parallel with ACC(2) pin 2.
3	SEND	Input/output pin. Goes to ground when transmitting. When grounded, transmits.	Ground level : $-0.5 \sim 0.8$ V Input current : less than 20 mA Connected in parallel with ACC(2) pin 3.
4	MOD	Modulator input. Connects to a modulator.	Input impedance : 10 k Ω Input level : Approx. 100 mV rms
5	AF	AF detector output. Fixed, regardless of [AF] position.	Output impedance : 4.7 k Ω Output level : 100 ~ 300 mV rms
6	SQLS	Squelch output. Goes to ground when squelch opens.	SQL open : Less than 0.3 V/5 mA SQL closed : More than 6.0 V/100 μ A
7	13.8 V	13.8 V output when power is ON.	Output current : Max. 1 A Connected in parallel with ACC(2) pin 7.
8	ALC	ALC voltage input.	Control voltage : $-4 \sim 0$ V Input impedance : More than 10 k Ω Connected in parallel with ACC(2) pin 5.

(2) ACC(2) SOCKET

PIN NO.	PIN NAME	DESCRIPTION	SPECIFICATIONS
1	8 V	Regulated 8 V output.	Output voltage : $8 \text{ V} \pm 0.3 \text{ V}$ Output current : Less than 10 mA
2	GND	Same as ACC(1) pin 2.	
3	SEND	Same as ACC(1) pin 3.	
4	BAND	Band voltage output. (Varies with amateur band)	Output voltage : 0 ~ 8.0 V
5	ALC	Same as ACC(1) pin 8.	
6	NC	No connection.
7	13.8 V	Same as ACC(1) pin 7.	